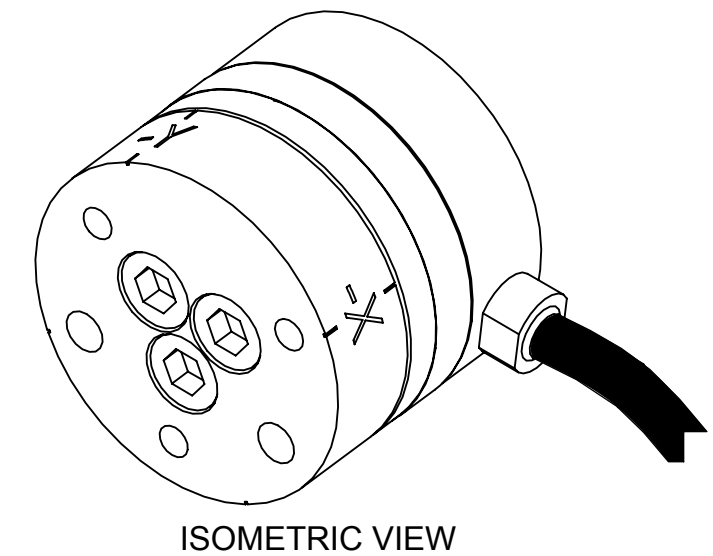
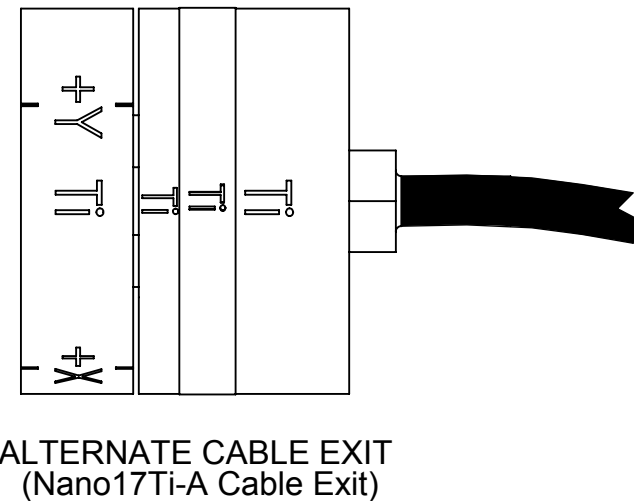
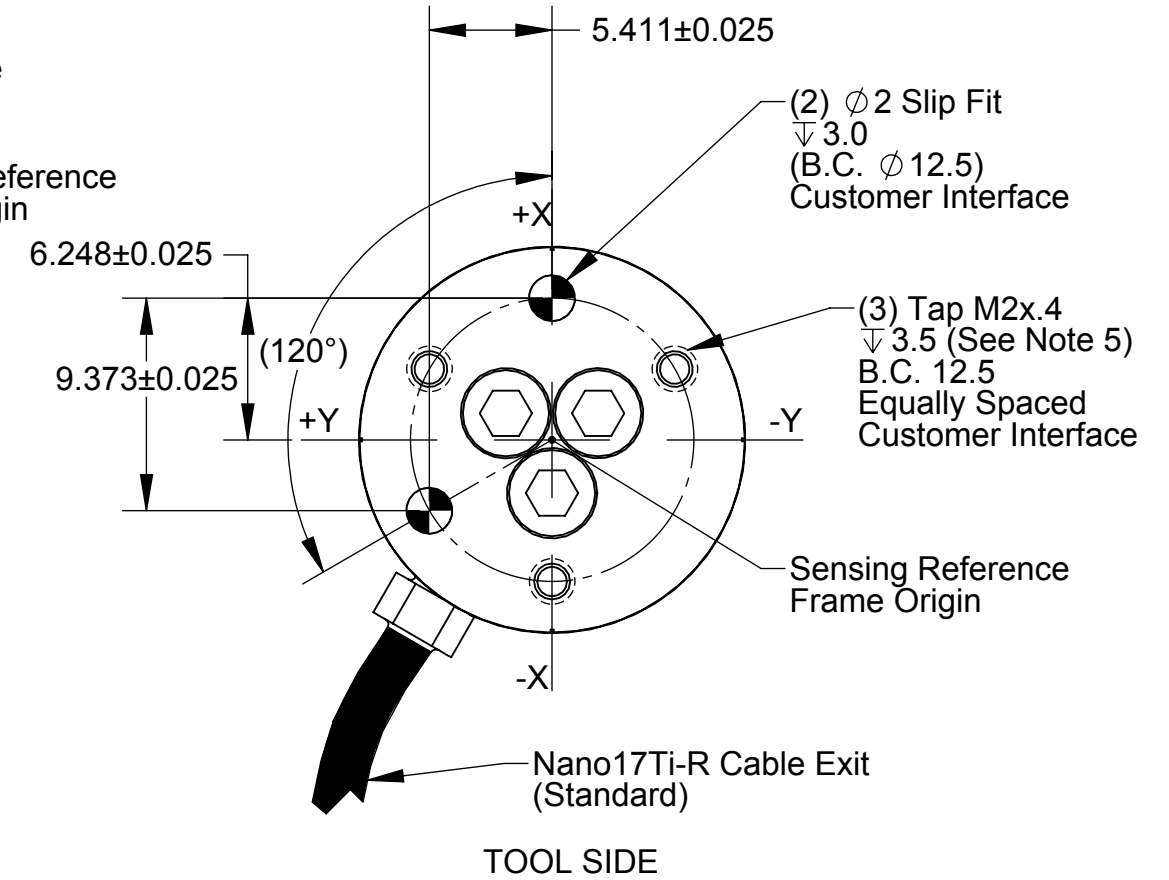
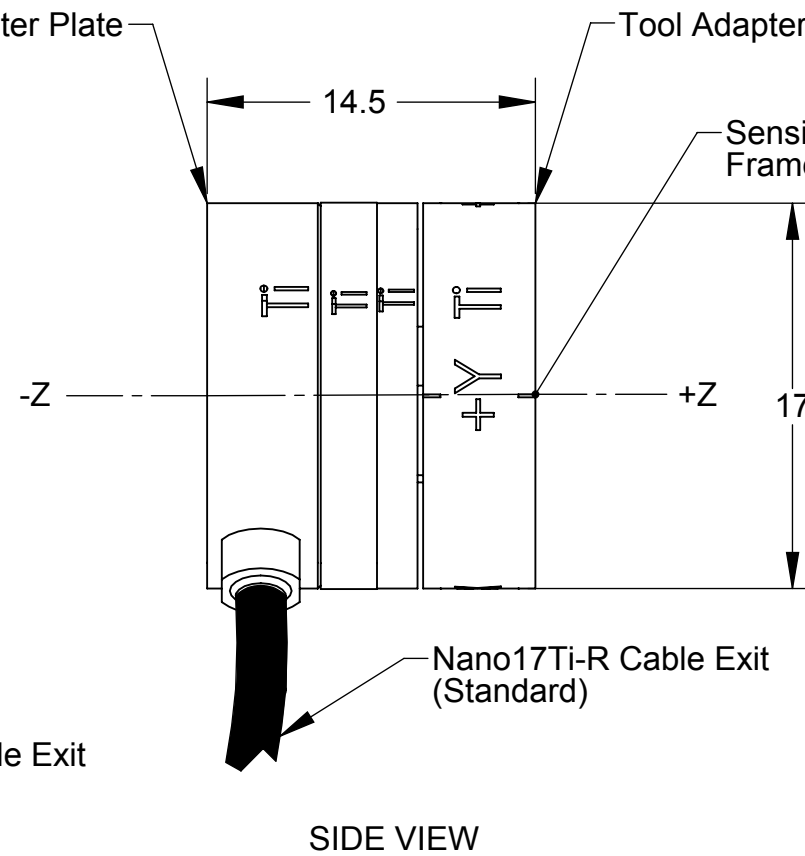
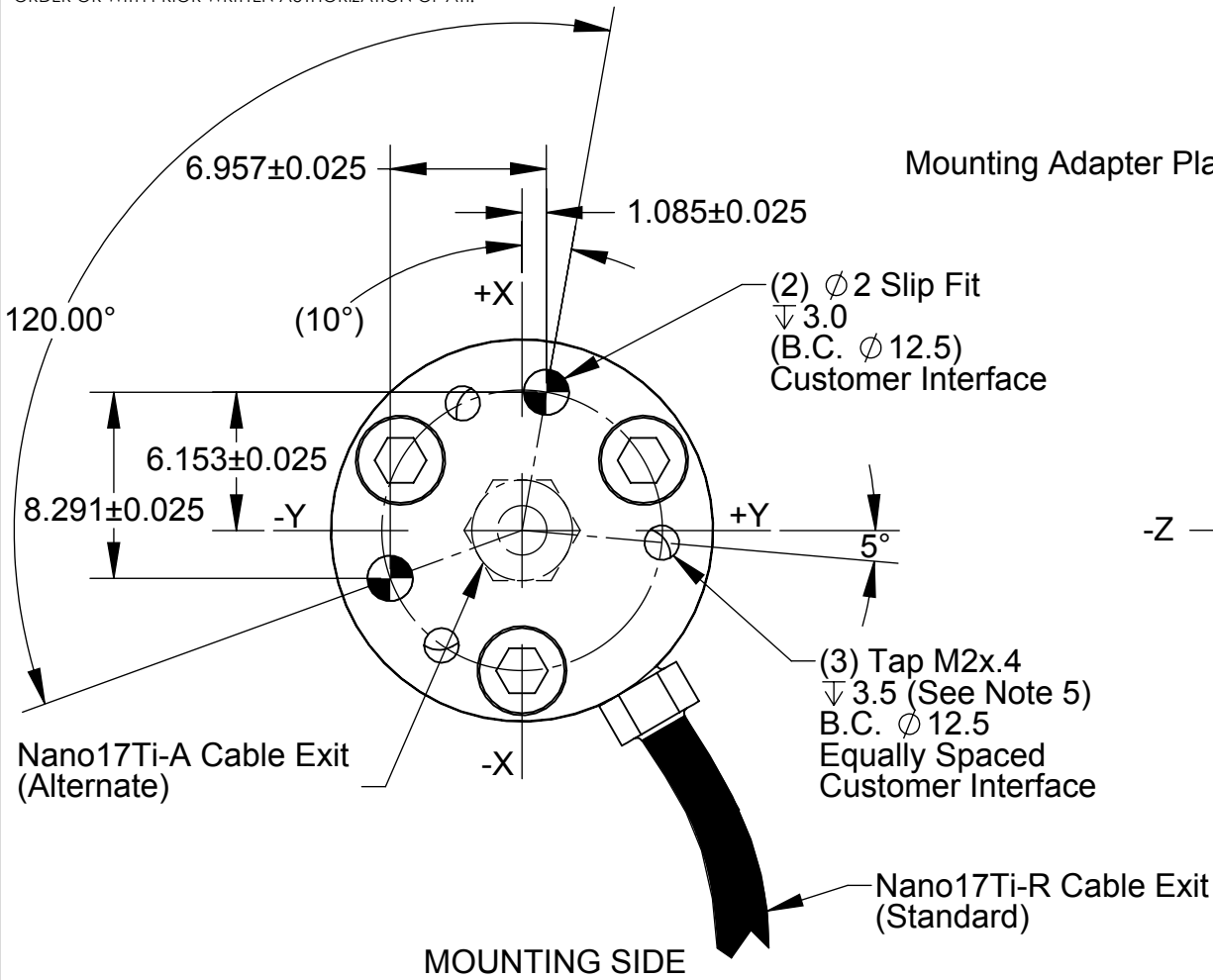


Rev.	Description	Initiator	Date
01	Eco 6444: Initial Drawing	ALH	7/1/2008



- NOTES:**
1. Material: Titanium
 2. Cable can be factory installed radially or axially.
 3. Connector (not shown) has 17mm diameter and is 67.5mm Long.
 4. WARNING -- DO NOT LOOSEN OR REMOVE INTERFACE PLATES DUE TO POTENTIAL DAMAGE.
 5. DO NOT EXCEED INTERFACE DEPTH, MAY CAUSE DAMAGE.

NOTES: UNLESS OTHERWISE SPECIFIED
 DO NOT SCALE DRAWING. DRAWN IN SOLIDWORKS.
 ALL DIMENSIONS ARE IN MILLIMETERS.



1031 Goodworth Drive, Apex, NC 27539, USA
 Tel: +1.919.772.0115 Email: info@ati-ia.com
 Fax: +1.919.772.8259 www.ati-ia.com
 ISO 9001 Registered Company

DRAWN BY: A. Hoke 6/30/08		TITLE Nano17 Titanium Transducer	
CHECKED BY: P. Fusco 7/3/08		SCALE 3:1	DRAWING NUMBER 9230-05-1336-01
WEIGHT LBS: 0.025		SIZE B	DATE:
ASSEMBLY REF:		PRODUCT RELEASE #	SHEET 1 OF 1

