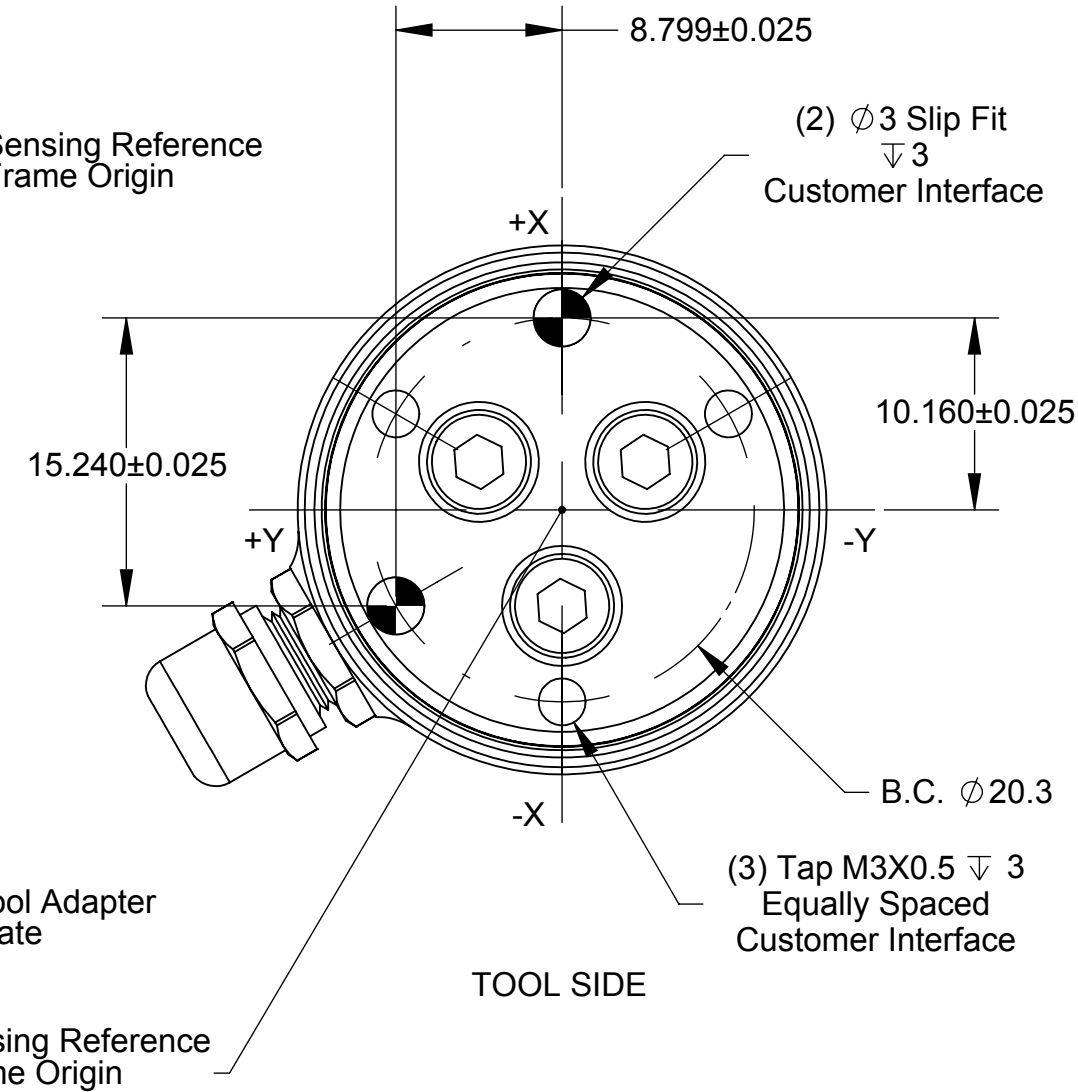
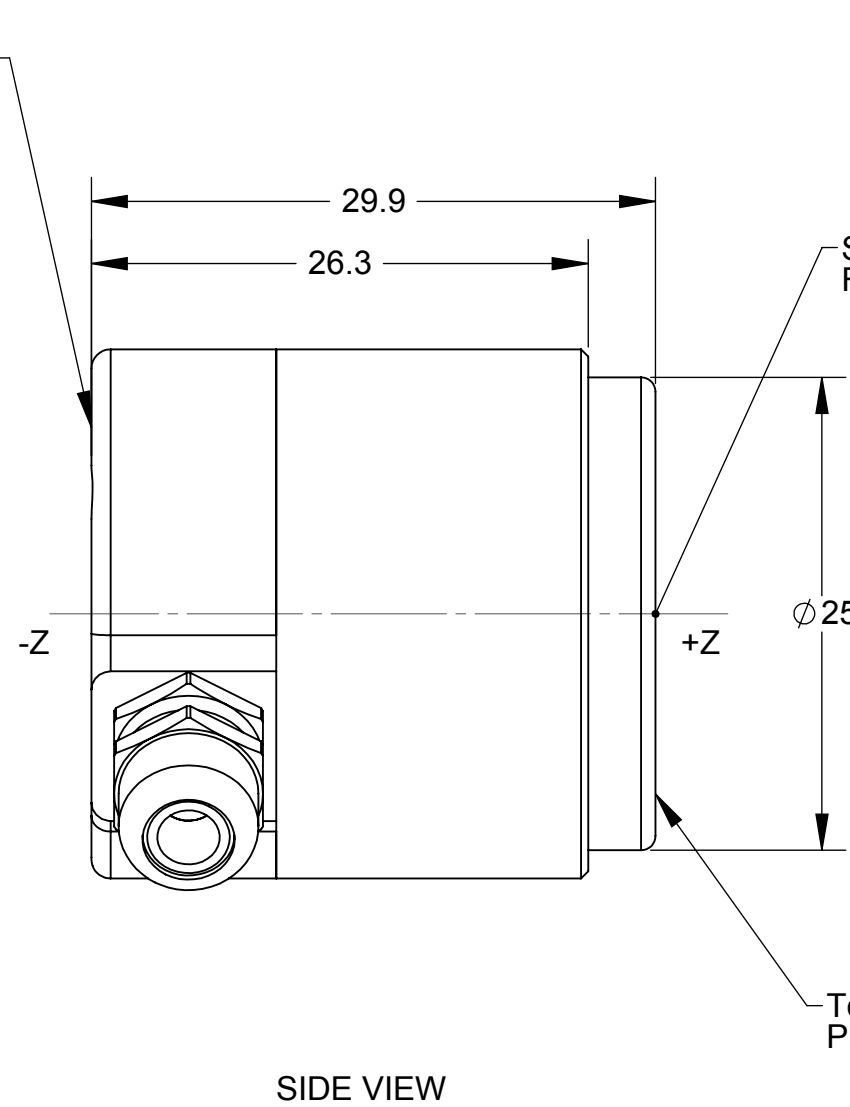
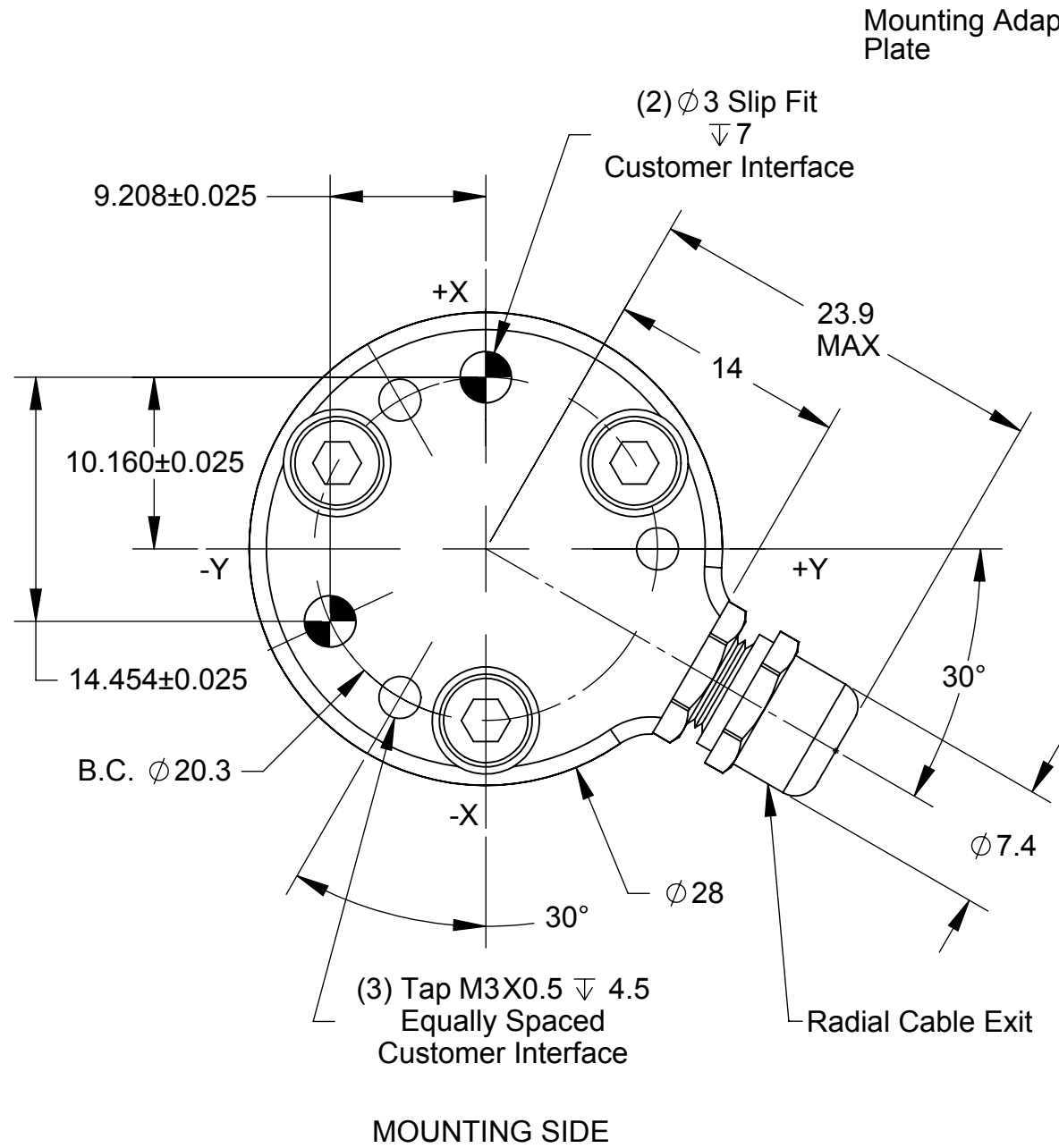


Rev.	Description	Initiator	Date
03	Corrected title block	RKC	11/26/2008

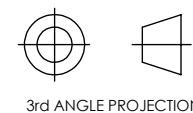


- NOTES:
1. Material: Stainless Steel
 2. Tool and Mounting Adapters have M3 tapped holes and 3mm dowel pin holes for interfacing
 3. WARNING: DO NOT LOOSEN OR REMOVE INTERFACE PLATES DUE TO POTENTIAL DAMAGE

NOTES: UNLESS OTHERWISE SPECIFIED
 DO NOT SCALE DRAWING. DRAWN IN SOLIDWORKS.
 ALL DIMENSIONS ARE IN MILLIMETERS.



1031 Goodworth Drive, Apex, NC 27539, USA
 Tel: +1.919.772.0115 Email: info@ati-ia.com
 Fax: +1.919.772.8259 www.ati-ia.com
 ISO 9001 Registered Company



DRAWN BY: R. Chambers 7/10/08		TITLE	
CHECKED BY: P. Fusco 7/15/08		IP65/IP68 Nano25 Transducer with Radial Cable Exit	
WEIGHT LBS:	SCALE 5:2	SIZE B	DRAWING NUMBER 9230-05-1337-03
ASSEMBLY REF:	PRODUCT RELEASE # 080701-1 DATE:		SHEET 1 OF 1