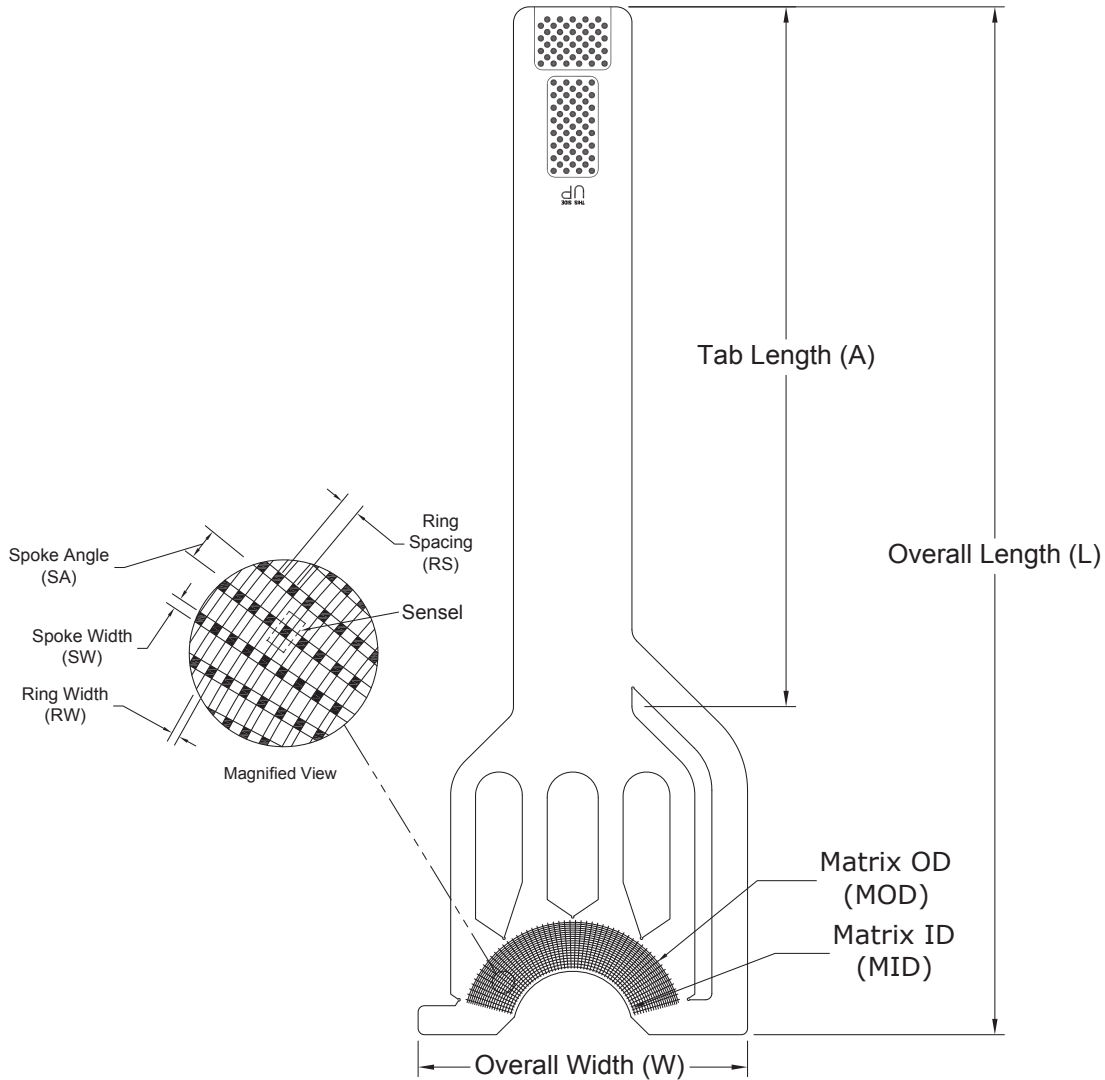


PRESSURE MAPPING, FORCE MEASUREMENT, AND TACTILE SENSORS



General Dimensions			Sensing Region Dimensions						Summary			
Overall Length <i>L</i>	Overall Width <i>W</i>	Tab Length <i>A</i>	Matrix ID <i>MID</i>	Matrix OD <i>MOD</i>	Spokes			Rings			Total No. of Sensels	Avg. Sensel Spatial Resolution (sensel per sq-in)
(mm)	(mm)	(mm)	(mm)	(mm)	<i>SW</i>	Pitch <i>SA</i>	<i>Qty.</i>	<i>RW</i>	Pitch <i>RS</i>	<i>Qty.</i>		
414.0	131.3	281.9	51.3	87.1	0.5	2.9	52	0.4	Varies	20	1,040	64.1 (sensel per sq-cm)
16.30	5.17	11.10	2.02	3.43	0.020	2.885	52	0.015	Varies	20	1,040	413.5 (sensel per sq-in)

Pressure Ranges

kPa	4,964
psi	720